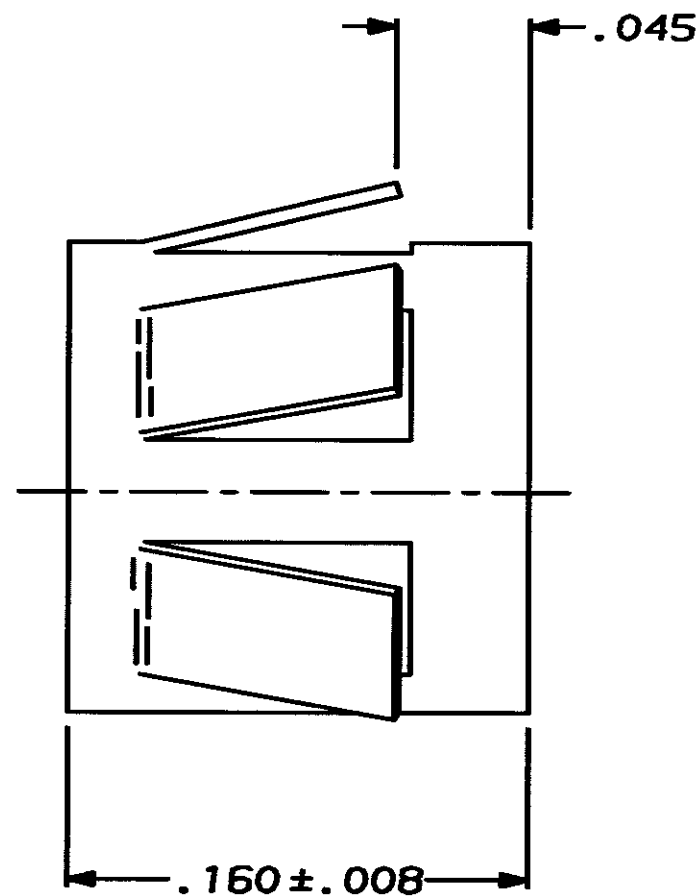
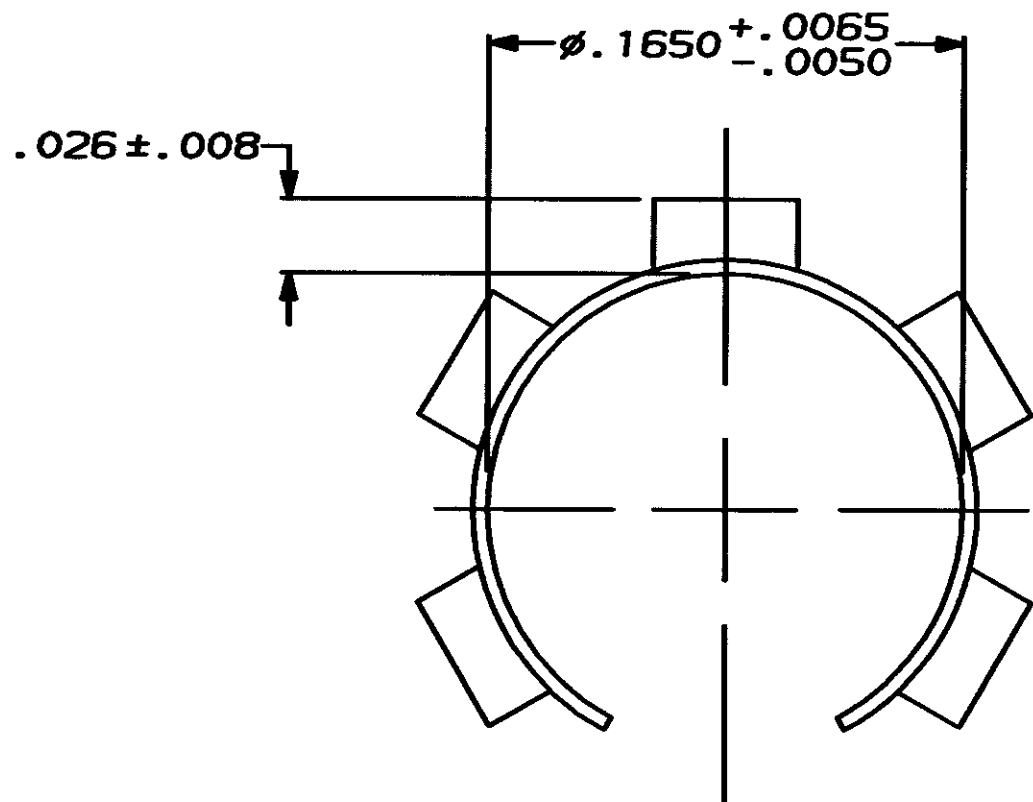


THIS DRAWING IS UNPUBLISHED. RELEASED FOR PUBLICATION ,19 .
© COPYRIGHT 19 BY AMP INCORPORATED. ALL INTERNATIONAL RIGHTS RESERVED.

LOC	DIST	P	F	ZONE	LTR	DESCRIPTION	DATE	APPD
AJ	16							
		✓	✓		N	REV & REDRAWN PER AJ-4283	2/21/90	JK
		✓	✓		P	REV PER AJ-5477	5-22-91	BMW
		✓	✓		R	REV PER AJ-6217	9-4-92	BMW

△ 1 STAINLESS STEEL PER QQ-5-766



201142-2

PART NO

DO NOT SCALE PRINT.
UNLESS SPECIFIED
DIMENSIONS IN INCHES
TOLERANCES ON:
2 PLC DEC * -
3 PLC DEC * .005
ANGLES * -

DR	J. KURTZ	2/21/90
CHK	D. LAMAN	3-9-90
APPD	H. SNEED	3-12-90
APPD	D. LAMAN	3-13-90

AMP AMP INCORPORATED
Harrisburg, Pa. 17105

NAME
SPRING, RETENTION

MATERIAL



PRODUCT SPEC
-

FINISH

-

APPLICATION SPEC
-

WEIGHT .000107 LB

SIZE

B

CASE CODE

00779

DRAWING NO

201142

SCALE 15:1

SHEET

1 OF 1